




**APPLICATION FOR APPROVAL PURSUANT TO
ECE REGULATION NO. 23.00
UNIFORM PROVISIONS CONCERNING THE APPROVAL OF REVERSING AND
MANOEUVRING LAMPS FOR POWER-DRIVEN VEHICLES AND THEIR TRAILERS**

TYPE: HML-4927E

FUNCTION: REVERSING LAMP



Total Pages: 4

Signature: 

Date: 2016-06-06



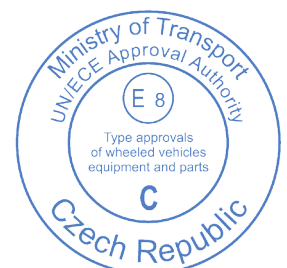
Confirmation


We hereby declare that the specimen submitted for this approval test has been manufactured and assembled on conditions of ordinary mass production and that it is compatible with enclosed documentation.

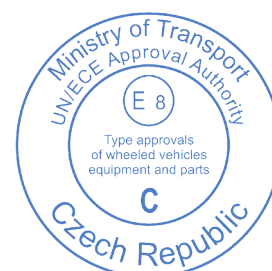


Signature: 黄剑英

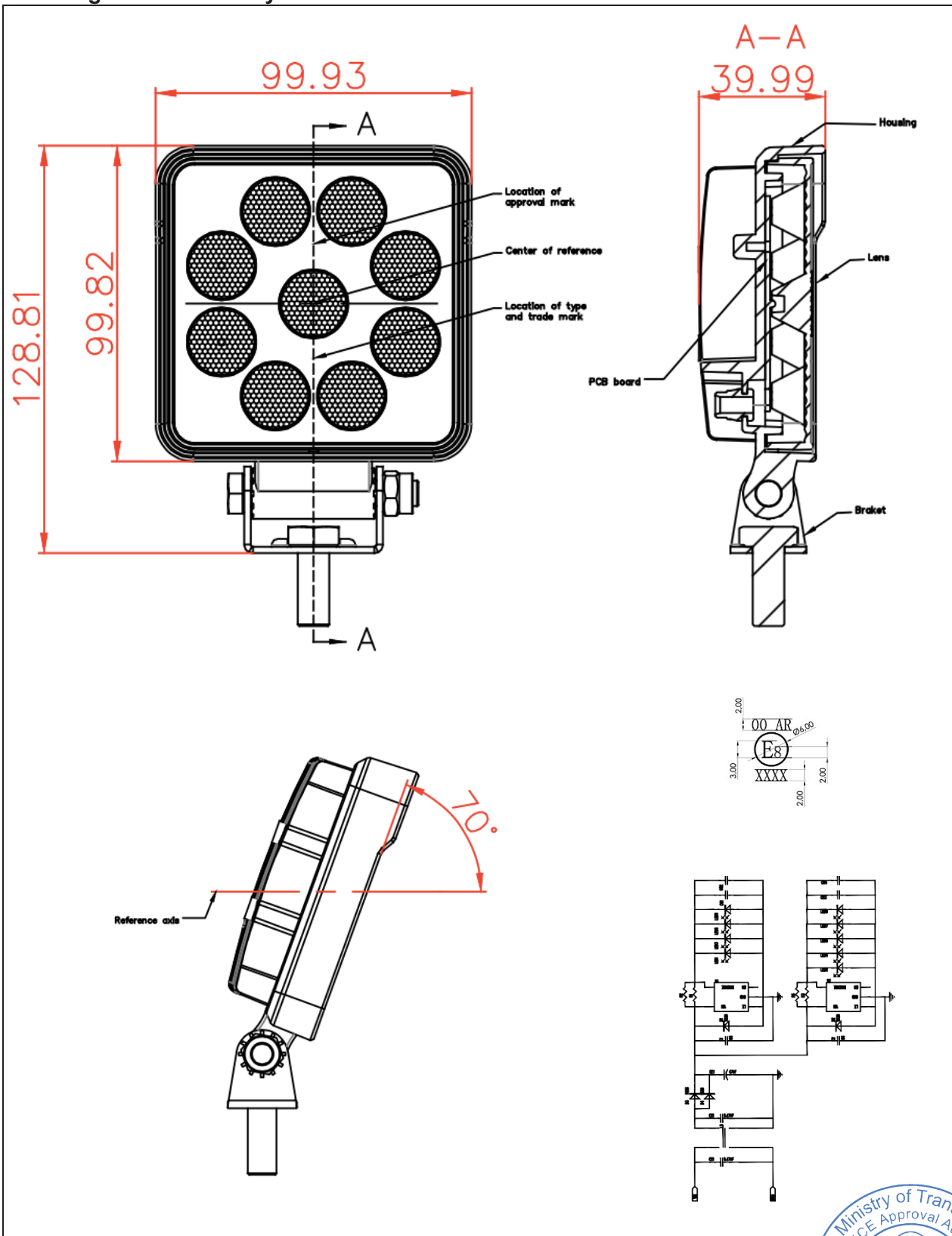
Date: 2016-06-06



0.	GENERAL	
0.1.	Make (trade mark of manufacturer):	
0.2.	Type:	HML-4927E
0.2.1.	Variants:	N/A
0.2.3.	Intended for:	N/A
0.3.	Means of identification of type:	Letter and digit
0.3.1.	Location of that marking:	On the lens, see drawing no. 1
0.4.	Name and address of manufacturer:	
0.5.	Location and method of affixing of the approval mark:	Mould on the lens, see drawing no. 1
0.5.1.	Proposal of the approval mark:	<p>00 AR</p>  <p>xxxx</p>
0.6.	Address of assembly plant:	See 0.4.
1.	TECHNICAL DESCRIPTION	
1.1.	Function(s):	Reversing lamp according to ECE Regulation No. 23.00
1.2.	Assembled:	Independent lamp
1.3.	Category:	Reversing lamp AR
1.4.	Installation:	Installed outside of the vehicle
1.5.	Optical characteristics	
	Function:	Reversing lamp
	Colour:	White
	Optical system:	Non-replaceable LED light sources with transparent lens, no reflector
	Reflector shape:	N/A
	Reflector size:	N/A
1.6.	Light sources	
	Number, category:	9, non-replaceable LED
	Rated voltage:	12V/24V
	Rated power:	13.5W
	Colour:	White
1.7.	Materials	
	Lens:	Plastic (PC)
	Reflector:	N/A
	Housing (Radiator):	Metal (ADC12)



Drawing no. 1: Assembly



The reference axis is parallel to the horizontal and vertical plane of the vehicle

Simplified Presentation

Type: HML-4927E

2016-06-06

Assembly

